



**STANDARD WERZEUGHALTER
UND ERSATZTEILEN**

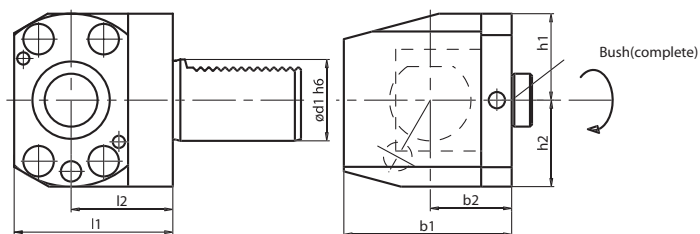
**STANDARD TOOLHOLDERS
AND ACCESSORIES**

**PORTE-OUTIL STANDARD
ET PIECES DETACHEES**

**PORTAUTENSILI STANDARD
ED ACCESSORI**

RADIAL WERKZEUGHALTER MIT HSK KUPPLUNG
RADIAL TOOLHOLDER WITH HSK COUPLING
PORTE-OUTIL RADIAL AVEC ATTAQUE HSK
PORTAUTENSILE RADIALE PER UTENSILI CON ATTACCO HSK

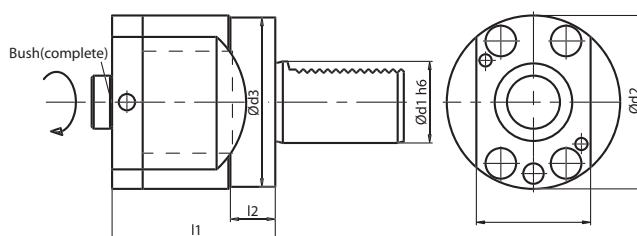
DIN 69893A+C



Code N.	Description	d1	b1	b2	h1	h2	l1	l2	Bush (complete)
118-03001	H32AOV30L	30	65	30	28	33	58	40	H32ABSL
118-03002	H32AOV30R	30	65	30	28	33	58	40	H32ABSL
118-04001	H32AOV40L	40	80	40	30	40	58	40	H32ABSL
118-04002	H32AOV40R	40	80	40	30	40	58	40	H32ABSL
118-04003	H40AOV40L	40	80	40	34	40	67.5	45	H40ABSL
118-04004	H40AOV40R	40	80	40	34	40	67.5	45	H40ABSL
118-04005	H50AOV40L	40	80	40	42.5	42.5	78	50	H50ABSL
118-04006	H50AOV40R	40	80	40	42.5	42.5	78	50	H50ABSL
118-05001	H50AOV50L	50	90	40	42.5	48	78	50	H50ABSL
118-05002	H50AOV50R	50	90	40	42.5	48	78	50	H50ABSL
118-05003	H63AOV50L	50	90	40	53	53	90	55	H63ABSL
118-05004	H63AOV50R	50	90	40	53	53	90	55	H63ABSL

AXIAL WERKZEUGHALTER MIT HSK KUPPLUNG
AXIAL TOOLHOLDER WITH HSK COUPLING
PORTE-OUTIL AXIAL AVEC ATTAQUE HSK
PORTAUTENSILE ASSIALE PER UTENSILI CON ATTACCO HSK

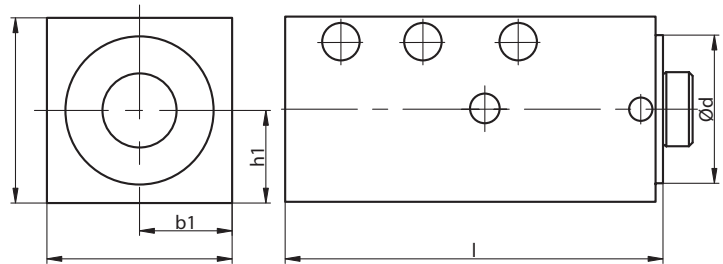
DIN 69893A+C



Code N.	Description	d1	d2	d3	b	l1	l2	Bush (complete)
118-03003	H32ADV30	30	55	68	36	52	22	H32ABSL
118-04007	H32ADV40	40	55	83	36	52	22	H32ABSL
118-04008	H40ADV40	40	68	83	45	60	22	H40ABSL
118-04009	H50ADV40	40	85	83	56	75	25	H50ABSL
118-05005	H50ADV50	50	85	98	56	75	30	H50ABSL
118-04013	H63ADV40	40	106	83	70	90	25	H63ABSL
118-05006	H63ADV50	50	106	98	70	90	33	H63ABSL

WERKZEUGHALTER MIT VIERECKIGER SCHAFT UND HSK KUPPLUNG
TOOLHOLDER WITH SQUARE SHANK AND HSK ATTACHMENT
PORTE-OUTIL AVEC QUEUE CARÉE ET ATTAQUE HSK
PORTAUTENSILE A STELO QUADRO CON ATTACCO HSK

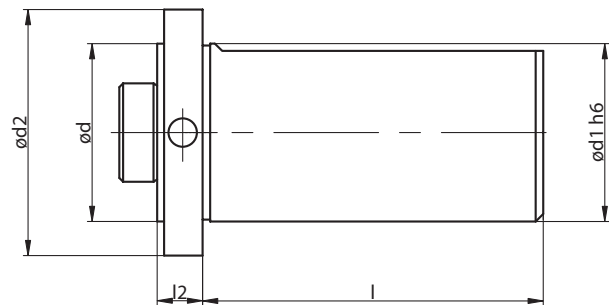
DIN 69893A+C



Code N.	Description	d	b	b1	h	h1	l1
137-00001	H40ASTQ50L	40	48	24	50	25	120
137-00002	H40ASTQ50R	40	48	24	50	25	120
137-00039	H50ASTQ50L	50	50	25	50	25	140
137-00040	H50ASTQ50R	50	50	25	50	25	140

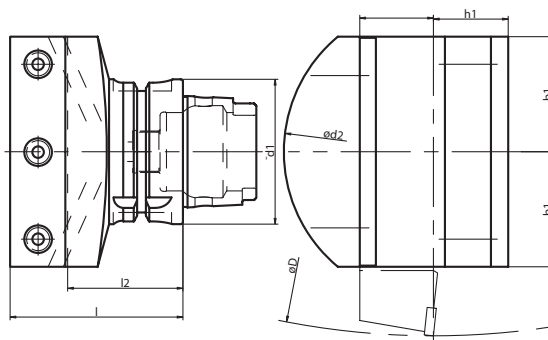
WERKZEUGHALTER MIT ZYLINDRISCHER SCHAFT UND HSK KUPPLUNG
TOOLHOLDER WITH CYLINDRICAL SHANK AND HSK ATTACHMENT
PORTE-OUTIL AVEC QUEUE CYLINDRIQUE ET ATTAQUE HSK
PORTAUTENSILE A STELO CILINDRICO CON ATTACCO HSK

DIN 69893A+C



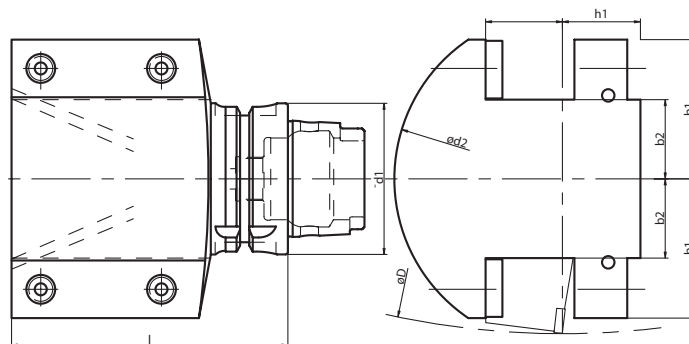
Code N.	Description	d	d1	d2	l1	l2
137-00003	H40ASTC40	40	40	50	80	12
137-00041	H50ASTC40	50	40	50	80	30

**RADIAL WERKZEUGHALTER
RADIAL TOOLHOLDER
PORTE-OUTIL RADIAL
PORTAUTENSILE RADIALE**

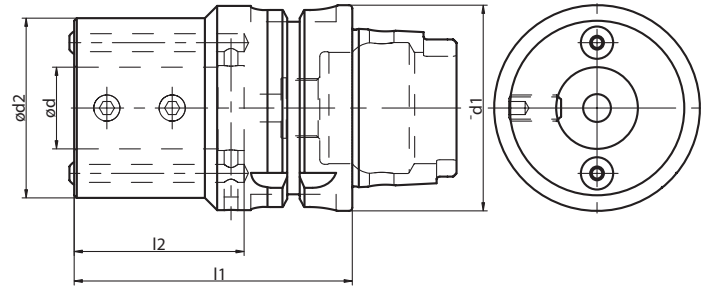


Code N.	Description	d1	d2	D	b1	h	h1	l1	l2
141-11408	H63ARAD32/25	63	130	340	50	32/25	32.5	75	50

**AXIAL WERKZEUGHALTER
AXIAL TOOLHOLDER
PORTE-OUTIL AXIAL
PORTAUTENSILE ASSIALE**

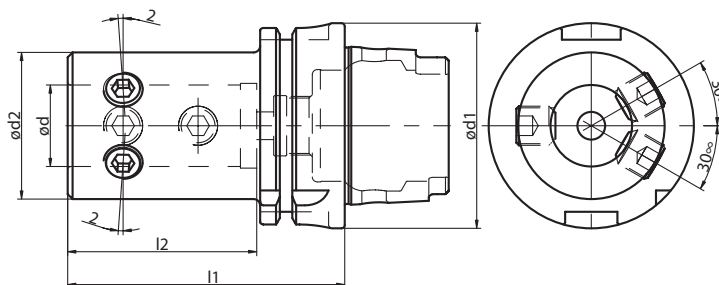


Code N.	Description	d1	d2	D	b1	h	h1	l1	l2
142-11406	H63AAX32/25	63	140	340	58	33	32/25	32.5	115

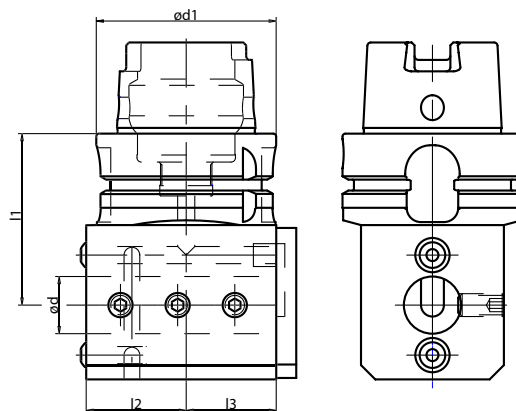
**AXIAL BOHRSTANGENHALTER
 AXIAL BORING BAR HOLDER
 PORTE-OUTIL POUR BARRES D'ALEPAGE AXIAL
 PORTAUTENSILE PER BARENI, ASSIALE**


Code N.	Description	d1	d	d2	l1	l2
145-21101	H32AAX-E2x08	32	8	32	55	30
145-21102	H32AAX-E2x10	32	10	34	55	30
145-21103	H32AAX-E2x12	32	12	36	55	30
145-21104	H32AAX-E2x16	32	16	40	60	35
145-21201	H40AAX-E2x08	40	8	32	60	40
145-21202	H40AAX-E2x10	40	10	34	60	40
145-21203	H40AAX-E2x12	40	12	36	65	40
145-21204	H40AAX-E2x16	40	16	40	70	45
145-21205	H40AAX-E2x20	40	20	45	70	45
145-21306	H50AAX-E2x10	50	10	38	75	45
145-21307	H50AAX-E2x12	50	12	40	75	45
145-21308	H50AAX-E2x16	50	16	45	80	50
145-21309	H50AAX-E2x20	50	20	50	80	50
145-21310	H50AAX-E2x25	50	25	55	85	52
145-21404	H63AAX-E2x12	63	12	40	75	45
145-21406	H63AAX-E2x16	63	16	45	80	50
145-21408	H63AAX-E2x20	63	20	50	80	50
145-21409	H63AAX-E2x25	63	25	55	85	52
145-21410	H63AAX-E2x32	63	32	72	95	61
145-21411	H63AAX-E2x40	63	40	80	110	76
145-21606	H100AAX-E2x16	100	16	45	85	50
145-21607	H100AAX-E2x20	100	20	50	85	50
145-21601	H100AAX-E2x25	100	25	55	85	52
145-21602	H100AAX-E2x32	100	32	72	95	61
145-21603	H100AAX-E2x40	100	40	80	110	76
145-21604	H100AAX-E2x50	100	50	90	120	86

AXIAL WERKZEUGHALTER FÜR WENDELPLATTENBOHRER MIT INNERER KÜHLMITTELZUFUHR
 AXIAL HOLDER FOR INDEXABLE INSERT DRILLS WITH INTERNAL COOLANT SUPPLY
 PORTE-OUTIL POUR FORETS A PLAQUETTES AVEC ALIMENTATION INTERNE DU LIQUIDE D'ARROSAGE ,AXIAL
 PORTAUTENSILE PER PUNTE AD INSERTI CON PASSAGGIO REFRIGERANTE INTERNO, ASSIALE

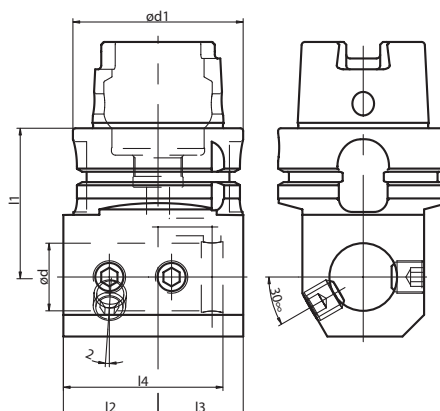


Code N.	Description	d1	d	d2	l1	l2
145-11101	H32AAX-E1x16	32	16	36	70	54
145-11201	H40AAX-E1x16	40	16	36	75	54
145-11202	H40AAX-E1x20	40	20	40	75	54
145-11301	H50AAX-E1x16	50	16	36	80	54
145-11302	H50AAX-E1x20	50	20	40	80	54
145-11303	H50AAX-E1x25	50	25	45	85	59
145-11406	H63AAX-E1x16	63	16	36	80	54
145-11408	H63AAX-E1x20	63	20	40	80	54
145-11409	H63AAX-E1x25	63	25	45	85	59
145-11410	H63AAX-E1x32	63	32	52	90	63
145-11411	H63AAX-E1x40	63	40	65	100	73
145-11604	H100AAX-E1x16	100	16	36	85	54
145-11605	H100AAX-E1x20	100	20	40	85	54
145-11601	H100AAX-E1x25	100	25	45	90	59
145-11602	H100AAX-E1x32	100	32	52	95	63
145-11603	H100AAX-E1x40	100	40	65	105	73

**RADIAL BOHRSTANGENHALTER
 RADIAL BORING BAR HOLDER
 PORTE-OUTIL POUR BARRES D'ALEPAGE RADIAL
 PORTAUTENSILE PER BARENI, RADIALE**


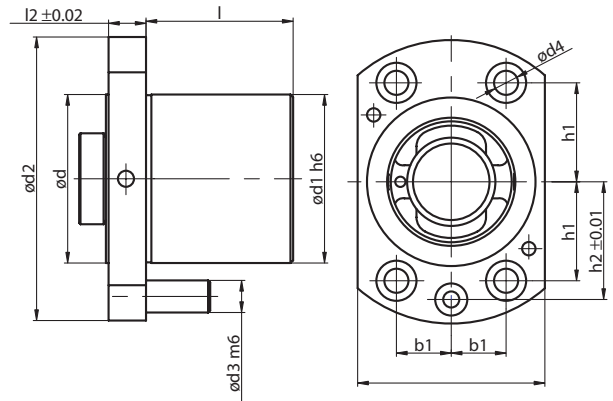
Code N.	Description	d1	d	l1	l2	l3
145-71101	H32ARAD-E2x08L	32	8	42	20	16
145-71102	H32ARAD-E2x08R	32	8	42	20	16
145-71103	H32ARAD-E2x10L	32	10	42	20	16
145-71104	H32ARAD-E2x10R	32	10	42	20	16
145-71105	H32ARAD-E2x12L	32	12	42	20	16
145-71106	H32ARAD-E2x12R	32	12	42	20	16
145-71201	H40ARAD-E2x08L	40	8	45	25	20
145-71202	H40ARAD-E2x08R	40	8	45	25	20
145-71203	H40ARAD-E2x10L	40	10	45	25	20
145-71204	H40ARAD-E2x10R	40	10	45	25	20
145-71205	H40ARAD-E2x12L	40	12	45	25	20
145-71206	H40ARAD-E2x12R	40	12	45	25	20
145-71207	H40ARAD-E2x16L	40	16	45	25	20
145-71208	H40ARAD-E2x16R	40	16	45	25	20
145-71301	H50ARAD-E2x10L	50	10	55	30	25
145-71302	H50ARAD-E2x10R	50	10	55	30	25
145-71303	H50ARAD-E2x12L	50	12	55	30	25
145-71304	H50ARAD-E2x12R	50	12	55	30	25
145-71305	H50ARAD-E2x16L	50	16	55	30	25
145-71306	H50ARAD-E2x16R	50	16	55	30	25
145-71307	H50ARAD-E2x20L	50	20	55	30	25
145-71308	H50ARAD-E2x20R	50	20	55	30	25
145-71401	H63ARAD-E2x12L	63	12	55	35	31.5
145-71402	H63ARAD-E2x12R	63	12	55	35	31.5
145-71403	H63ARAD-E2x16L	63	16	55	35	31.5
145-71404	H63ARAD-E2x16R	63	16	55	35	31.5
145-71405	H63ARAD-E2x20L	63	20	60	35	31.5
145-71406	H63ARAD-E2x20R	63	20	60	35	31.5
145-71407	H63ARAD-E2x25L	63	25	60	35	31.5
145-71408	H63ARAD-E2x25R	63	25	60	35	31.5
145-71601	H100ARAD-E2x16L	100	16	75	52	50
145-71602	H100ARAD-E2x16R	100	16	75	52	50
145-71603	H100ARAD-E2x20L	100	20	75	52	50
145-71604	H100ARAD-E2x20R	100	20	75	52	50
145-71605	H100ARAD-E2x25L	100	25	75	52	50
145-71606	H100ARAD-E2x25R	100	25	75	52	50
145-71607	H100ARAD-E2x32L	100	32	85	52	50
145-71608	H100ARAD-E2x32R	100	32	85	52	50
145-71609	H100ARAD-E2x40L	100	40	85	52	50
145-71610	H100ARAD-E2x40R	100	40	85	52	50

RADIAL WERKZEUGHALTER FÜR WENDELPLATTENBOHRER MIT INNERER KÜHLMITTELZUFUHR
RADIAL HOLDER FOR INDEXABLE INSERT DRILLS WITH INTERNAL COOLANT SUPPLY
PORTE-OUTIL POUR FORETS A PLAQUETTES AVEC ALIMENTATION INTERNE DU LIQUIDE D'ARROSAGE ,RADIAL
PORTAUTENSILE PER PUNTE AD INSERTI CON PASSAGGIO REFRIGERANTE INTERNO ,RADIALE



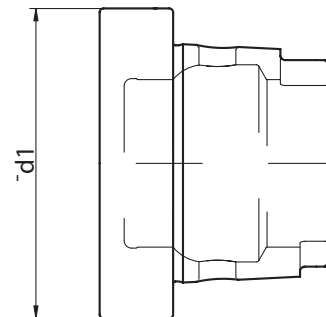
Code N.	Description	d1	d	l1	l2	l3	l4
145-31201	H40ARAD-E1x16L	40	16	42	30	30	54
145-31202	H40ARAD-E1x16R	40	16	42	30	30	54
145-31301	H50ARAD-E1x16L	50	16	50	30	30	54
145-31302	H50ARAD-E1x16R	50	16	50	30	30	54
145-31303	H50ARAD-E1x20L	50	20	50	30	30	54
145-31304	H50ARAD-E1x20R	50	20	50	30	30	54
145-31401	H63ARAD-E1x16L	63	16	50	35	31.5	54
145-31402	H63ARAD-E1x16R	63	16	50	35	31.5	54
145-31403	H63ARAD-E1x20L	63	20	55	35	31.5	54
145-31404	H63ARAD-E1x20R	63	20	55	35	31.5	54
145-31405	H63ARAD-E1x25L	63	25	55	35	31.5	59
145-31406	H63ARAD-E1x25R	63	25	55	35	31.5	59
145-31601	H100ARAD-E1x16L	100	16	65	52	50	54
145-31602	H100ARAD-E1x16R	100	16	65	52	50	54
145-31603	H100ARAD-E1x20L	100	20	65	52	50	54
145-31604	H100ARAD-E1x20R	100	20	65	52	50	54
145-31605	H100ARAD-E1x25L	100	25	65	52	50	59
145-31606	H100ARAD-E1x25R	100	25	65	52	50	59

**EINSÄTZE MIT HSK KUPPLUNG
ADAPTER WITH HSK ATTACHMENT
ADAPTEUR AVEC ATTAQUE HSK
BUSSOLA CON ATTACCO HSK**



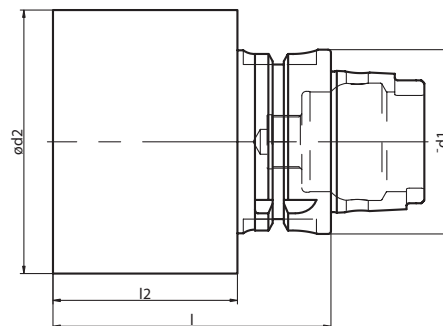
Code N.	d	d1	D2	d3	d4	l1	l2	b	b1	h1	h2
H32ABSL	32	32	55	6	5.5	27	10	36	10.5	19.2	22
H40ABSL	40	40	68	8	6.5	33	12	45	13.5	23	27
H50ABSL	50	50	85	10	9	42	15	56	16	30	35
H63ABSL	63	63	106	12	9	55	15	70	20.5	37	44

**VERSCHLUßDECKEL
BLANKING PLUG
BOUCHON DE PROTECTION
TAPPO DI PROTEZIONE**



Code N.	d1
H32ATP	32
H40ATP	40
H50ATP	50
H63ATP	63

**ROHLINGE FÜR SONDERWERKZEUGE
BLANK TOOLHOLDER FOR SPECIAL TOOLS
EBAUCHES POUR PORTE-OUTILS SPECIAUX
SEMILAVORATI PER UTENSILI SPECIALI**



Code N.	d1	D2	d3	d4
H32A040110SML	32	40	110	86
H32A050125SML	32	50	125	101
H32A070065SML	32	70	65	41
H32A090075SML	32	90	75	51
H40A040095SML	40	40	95	71
H40A060160SML	40	60	160	136
H40A080075SML	40	80	75	51
H40A100085SML	40	100	85	61
H50A050125SML	50	50	125	94
H50A075170SML	50	75	170	139
H50A090080SML	50	90	80	49
H50A110090SML	50	110	90	59
H63A080190SML	63	80	190	158
H63A110085SML	63	110	85	53
H63A130095SML	63	130	95	63